

Description

Ultra Precision Strain Gage based 20510 Crane Load Cell is versatile, compact and rugged. It is used for tension measurements, Crane weighing. It is used in tension mode only.

Tension Loading can be done with Dee / Bow Shackle & Hook. It is available in 7.5 Tf to 30 Tf capacities.

Features

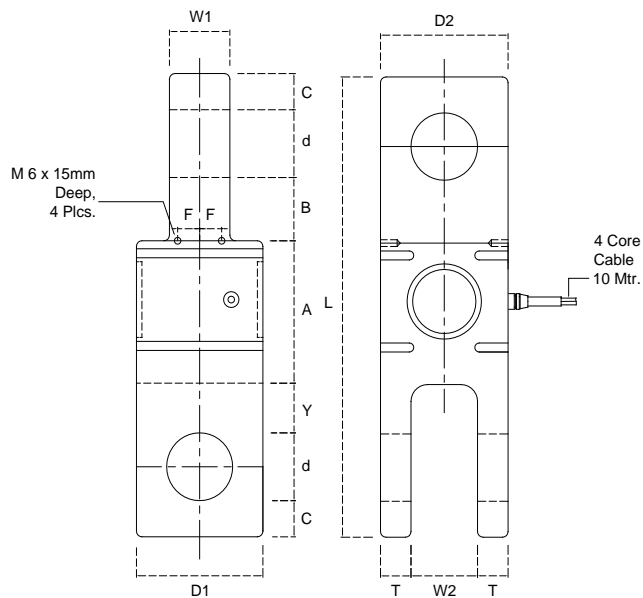
- 7.5, 10, 15, 20, 25, 30 TF Capacities available.
- High Alloy Tool Steel construction for resistance against shock and overload.
- Perpendicular hole design helps in minimizing external moments effects and improves safety & accuracy.
- It is light weight and portable.
- High Temperature version for foundry applications is available upon request.
- Can be designed to fit your dimensional needs.

Applications

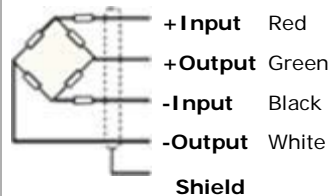
- To measure rope tension by inserting as a link in to the line.
- To measure towing force of the vehicles and Ships.
- Force Measurement Tension Dynamometer.
- Hanging & Crane Scale.
- Material handling equipments.
- Cargo handling in Ship Yards.

Performance Specification

Standard Capacities	7.5, 10, 15, 20, 25, 30 TF.
Excitation Voltage	10 VDC- Maximum 15 VDC
Nominal Output	1.0 m V/ V
Non - Linearity	< ±0.05% FSO
Hysteresis	< ±0.03% FSO
Non-Repeatability	< ±0.02% FSO
Creep (30 minutes)	< ±0.04% FSO
Zero Balance	±1.0% FSO
Input Resistance	780 ± 15 Ohms
Output Resistance	700 ± 3 Ohms
Insulation Resistance (50 VDC)	> 1000 Mega Ohms
Cable Length (4 Core Screened)	10 Mtrs
Safe Overload of Rated Capacity	150%
Ultimate Overload of Rated Capacity	200%
Allowable Side Load	50%
Temp. Compensated Range	0-60 °C
Temperature Effect on Output	< 0.0015% FSO/ °C
Temperature Effect on Zero	< 0.0020% FSO/ °C
Deflection	< 0.4 mm at FSO
Finish & Construction	Electroless Nickel Plated Tool Steel
Environmental Protection Class	IP65



Electrical Termination



CAPACITY TF	L	D1	D2	W1	W2	T	d	C	B	A	Y	F
7.5, 10	220	60	60	38	34	13	36	16	26	70	20	10
15, 20	300	75	85	55	50	17.5	50	18	38	96	30	15
25, 30	364	110	110	75	60	25	60	30	38	102	44	20

ALL DIMENSIONS ARE IN MM



ADI ARTECH TRANSDUCERS (P) LTD, VADODARA

A Joint venture with ARTECH INDUSTRIES INC., U.S.A
917/1, G.I.D.C. Estate, Makarpura Vadodara - 390 010. Gujarat, India.

Ph: +91 265 2655083, 2651023 Fax: +91 265 2638751

Email: sales@adiartech.com Website: www.adiartech.com