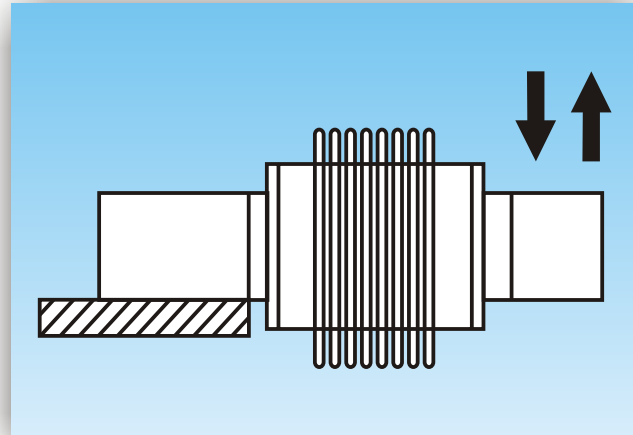
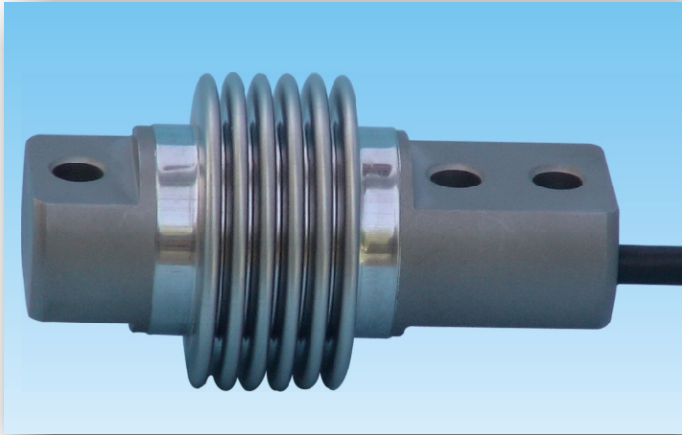


model

50210/50310

# BENDING BEAM LOAD CELL



## FEATURES :

- ❖ Available in two sizes
- ❖ 10 kgf. to 500 kgf. capacities
- ❖ Low profile
- ❖ Environmentally protected with S. S. Bellow
- ❖ Stainless Steel construction 17-4 PH
- ❖ IP68 environmental protection

## DESCRIPTION :

- ❖ 50210/50310 is miniature round bending beam load cell
- ❖ This is available in two different sizes to meet wide industrial requirements
- ❖ It is hermetically sealed with S.S. bellow for IP68 protection class

## APPLICATIONS :

- ❖ Floor Scales
- ❖ Bench Scales
- ❖ Tank & Hopper Weighing
- ❖ Auto Bagging Machine
- ❖ Batching & Packaging Machine

## PERFORMANCE SPECIFICATION :

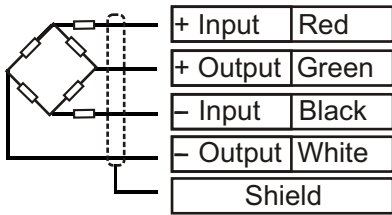
<b>Standard Capacities (Kgf.)</b>	<b>50210</b> : 10,20,40,50,75,100,150,200 <b>50310</b> : 10,20,50,100,200,500
<b>Excitation Voltage</b>	: 10 VDC - Maximum 15 VDC
<b>Nominal Output</b>	: 2.0 mV/V (Normal)
<b>Non - Linearity</b>	: < ± 0.025 % FSO (Full Scale Output)
<b>Hysteresis</b>	: < ± 0.02 % FSO
<b>Non-Repeatability</b>	: < ± 0.01 % FSO
<b>Creep (30 minutes)</b>	: < ± 0.03 % FSO
<b>Zero Balance</b>	: ± 1.0 % FSO
<b>Input Resistance</b>	: 370 Ohms (Normal)
<b>Output Resistance</b>	: 350 Ohms
<b>Insulation Resistance</b>	: > 1000 Mega Ohms at 50 V DC
<b>Safe Overload</b>	: 150 % of Rated Capacity
<b>Temp. Compensated Range</b>	: 0-60 °C
<b>Temp. Effect on Output</b>	: < 0.0015 % FSO/ °C
<b>Temp. Effect on Zero</b>	: < 0.0020 % FSO/ °C
<b>Deflection</b>	: < 0.5 mm at FSO
<b>Material of Construction</b>	: Stainless Steel -17-4 PH
<b>Environmental Protection Class</b>	: IP68



**ADI ARTECH**  
TRANSDUCERS PVT. LTD.

A Joint venture with  
ARTECH INDUSTRIES INC., U.S.A.

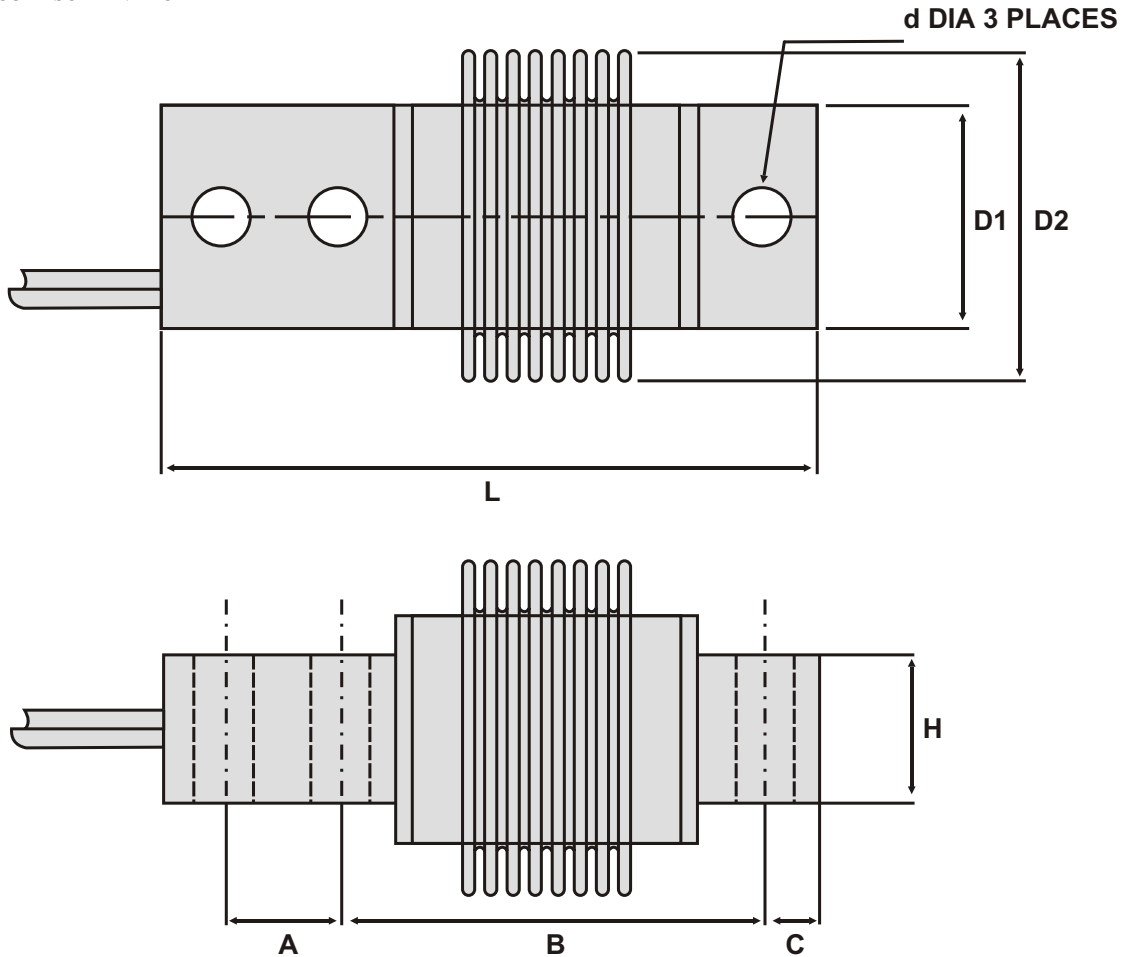
**ELECTRICAL TERMINATION**



4 CORE SCREENED CABLE

Type	A	B	C	d	D1	D2	H	L
50210	12.5	46	6	6.4	25	36	16	71
50310	18	82	10	8.2	29.5	45	20	120

All dimensions are in mm.



**ORDER INFORMATION :**

**ADI ARTECH** is dedicated in maintaining adequate inventories of its Load Cells to provide the best service in the industry.

Order by the model number and indicate the capacity required.

Specifications are subject to change without notice

	Manufactured by :	917/1, G.I.D.C. ESTATE, MAKARPURA, VADODARA - 390 010 (INDIA)
	<b>ADI ARTECH</b>	Phone : 2655083/2651023
	<b>TRANSDUCERS PVT. LTD.</b>	FAX : (91) 0265-2638751
	A Joint venture with ARTECH INDUSTRIES INC., U.S.A.	E-mail : sales@adiartech.com artechad1@sancharnet.in
		Website : www.adiartech.com

**QUALITY \* PERFORMANCE \* SERVICE**  
**“A PREFERRED NAME IN LOAD CELL TECHNOLOGY”**