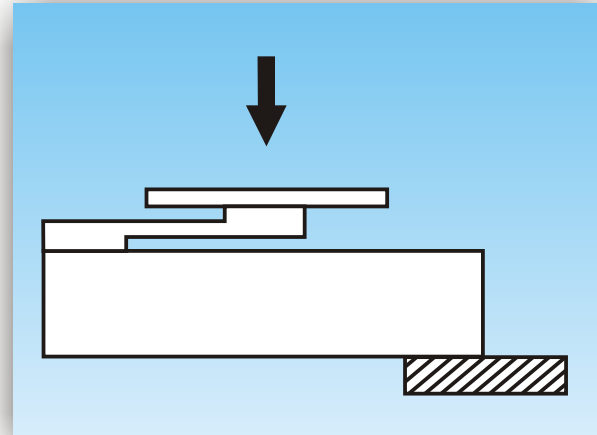
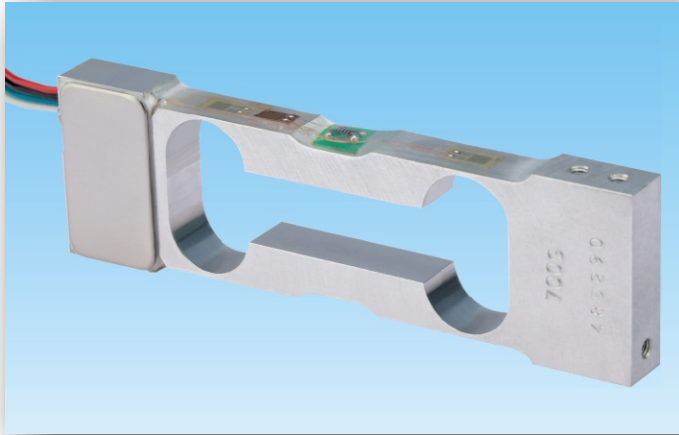


model

# 60610-L

## MINIATURE JEWELRY LOAD CELL



### FEATURES :

- ❖ Single Point Capability with Minimum Off-centre Error
- ❖ Low Profile Design

### DESCRIPTION :

- ❖ Model 60610-L is a Strain gage based low profile bending beam Miniature Load Cell
- ❖ It is ideal for Table top & Jewelry Scales
- ❖ It is designed for low eccentric load sensitivity

### APPLICATIONS :

- ❖ Precision Jewelry Scales
- ❖ Small Bagging Machines
- ❖ Thread Tension Measurements

### PERFORMANCE SPECIFICATION :

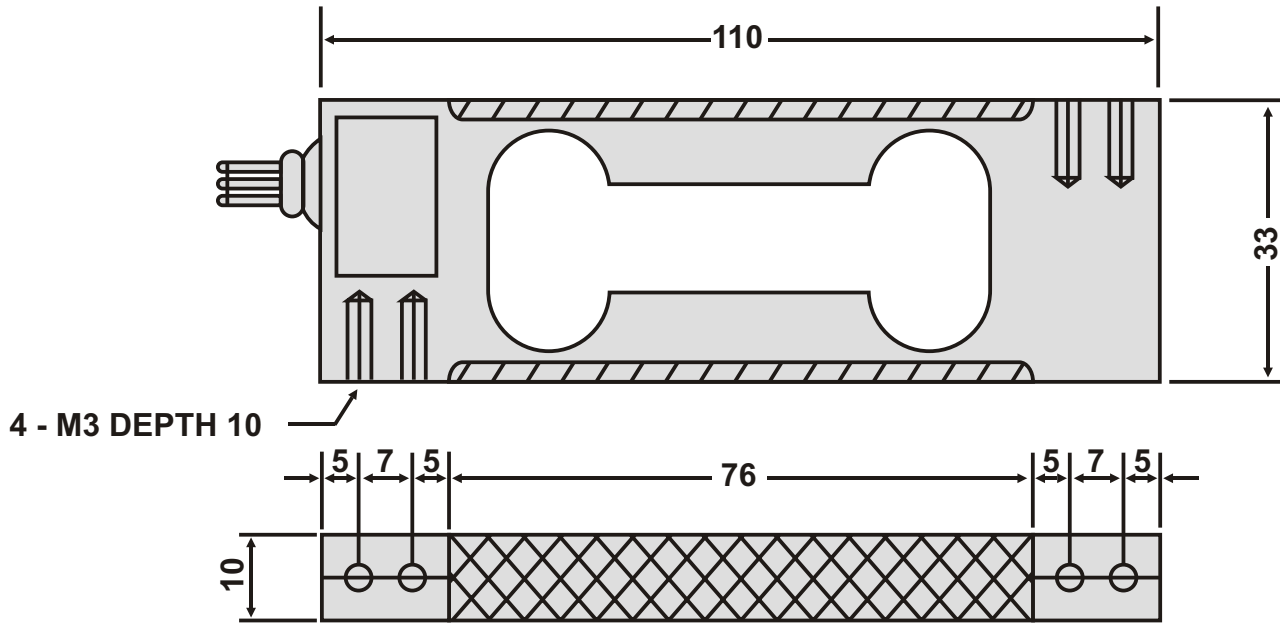
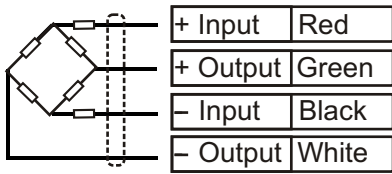
<b>Standard Capacities (Gmf.)</b>	: 200,300,400,500,700
<b>(Kgf.)</b>	: 1,1.5,2
<b>Excitation Voltage</b>	: 10 VDC - Maximum 15 VDC
<b>Nominal Output</b>	: 1.6 mV/V
<b>Non - Linearity</b>	: < ± 0.025 % FSO (Full Scale Output)
<b>Hysteresis</b>	: < ± 0.03 % FSO
<b>Non-Repeatability</b>	: < ± 0.02 % FSO
<b>Creep (30 minutes)</b>	: < ± 0.03 % FSO
<b>Zero Balance</b>	: ± 5.0 % FSO
<b>Input Resistance</b>	: 420 ± 5.0 Ohms
<b>Output Resistance</b>	: 350 ± 3.0 Ohms
<b>Insulation Resistance (50VDC)</b>	: > 1000 Mega Ohms at 50 VCD
<b>Safe Overload</b>	: 150 % FSO
<b>Ultimate Overload</b>	: 200 % FSO
<b>Temp. Compensated Range</b>	: 0-60 °C
<b>Temp. Effect on Output</b>	: < 0.0015 % FSO/ °C
<b>Temp. Effect on Zero</b>	: < 0.0020 % FSO/ °C
<b>Platter Size</b>	: 120 mm Dia.
<b>Eccentric Load Effect</b>	: < 0.02 % of FSO at 1/3 rated load placed at the edge of the specified size platter
<b>Deflection</b>	: < 0.5 mm at rated load
<b>Finish &amp; Construction</b>	: Aluminium Alloy Mounting Bracket- Electro plated M.S.
<b>Environmental Protection Class</b>	: IP65



**ADI ARTECH**  
TRANSDUCERS PVT. LTD.

A Joint venture with  
ARTECH INDUSTRIES INC., U.S.A.

**ELECTRICAL TERMINATION**



**ALL DIMENSIONS ARE IN M.M.**

**ORDER INFORMATION :**

**ADI ARTECH** is dedicated in maintaining adequate inventories of its Load Cells to provide the best service in the industry.

Order by the model number and indicate the capacity required.

Specifications are subject to change without notice

	Manufactured by : <b>ADI ARTECH</b> <b>TRANSDUCERS PVT. LTD.</b> A Joint venture with ARTECH INDUSTRIES INC., U.S.A.	917/1, G.I.D.C. ESTATE, MAKARPURA, VADODARA - 390 010 (INDIA) Phone : 2655083/2651023 FAX : (91) 0265-2638751 E-mail : sales@adiartech.com artechad1@sancharnet.in Website : www.adiartech.com
---	---	--

**QUALITY \* PERFORMANCE \* SERVICE**  
**“A PREFERRED NAME IN LOAD CELL TECHNOLOGY”**