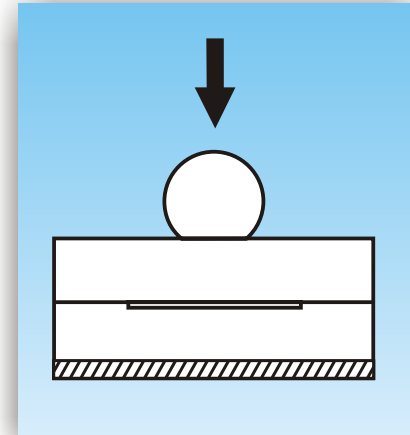


model

70610

DOUBLE ENDED SHEAR BEAM LOAD CELL



FEATURES :

- ❖ 10 Tf. to 30 Tf. Capacities.
- ❖ Complete environmental Protection - IP68 class.
- ❖ Standard output 2.0m V/V available.
- ❖ Hardened tool steel construction.
- ❖ Good side force and shock resistance.
- ❖ Full mounting hardware are provided with the load cell.

APPLICATIONS :

- ❖ Truck weighbridge
- ❖ Tank and hopper weighing
- ❖ Tensile testing

DESCRIPTION :

- ❖ 70610 load cells are suitable for truck, tank and hopper weighing.
- ❖ This is constructed from electroless nickel plated heat treated tool steel suitable for harsh industrial applications.
- ❖ Cup and steel ball mounted mechanism is self restoring and self centering.
- ❖ Transient voltage protection is provided for protection against lightning and line voltage faults.

PERFORMANCE SPECIFICATION :

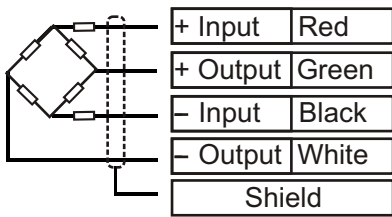
Standard Capacities (Tf.)	: 10, 20, 30
Excitation Voltage	: 10 VDC - Maximum 15 VDC
Nominal Output	: 2.0 mV/V
Non - Linearity	: < ± 0.025 % FSO (Full Scale Output)
Hysteresis	: < ± 0.02 % FSO
Non-Repeatability	: < ± 0.01 % FSO
Creep (30 minutes)	: < ± 0.03 % FSO
Input Resistance	: 770 ± 20 Ohms
Output Resistance	: 770 ± 7 Ohms
Insulation Resistance (50VDC)	: > 1000 Mega Ohms
Cable Length (4 core)	: 15 mtr.
Safe Overload	: 150 %
Ultimate Overload of Rated	: 300 %
Allowable Side Load	: 50%
Side Load Discrimination	: 500:1
Temp. Compensated Range	: 0-60 °C
Temp. Effect on Output	: < 0.0015 % FSO/ °C
Temp. Effect on Zero	: < 0.0020 % FSO/ °C
Deflection	: < 0.5 mm at FSO
Tightening Torque	: 10 m.kg.
Finish & Construction	: Electroless Nickel Plated Tool Steel
Environmental Protection Class	: IP68
Transient Voltage Protection	: Provided



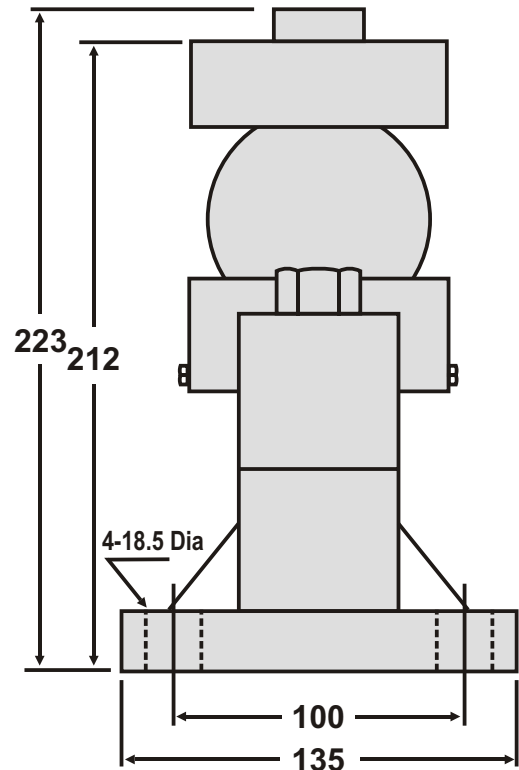
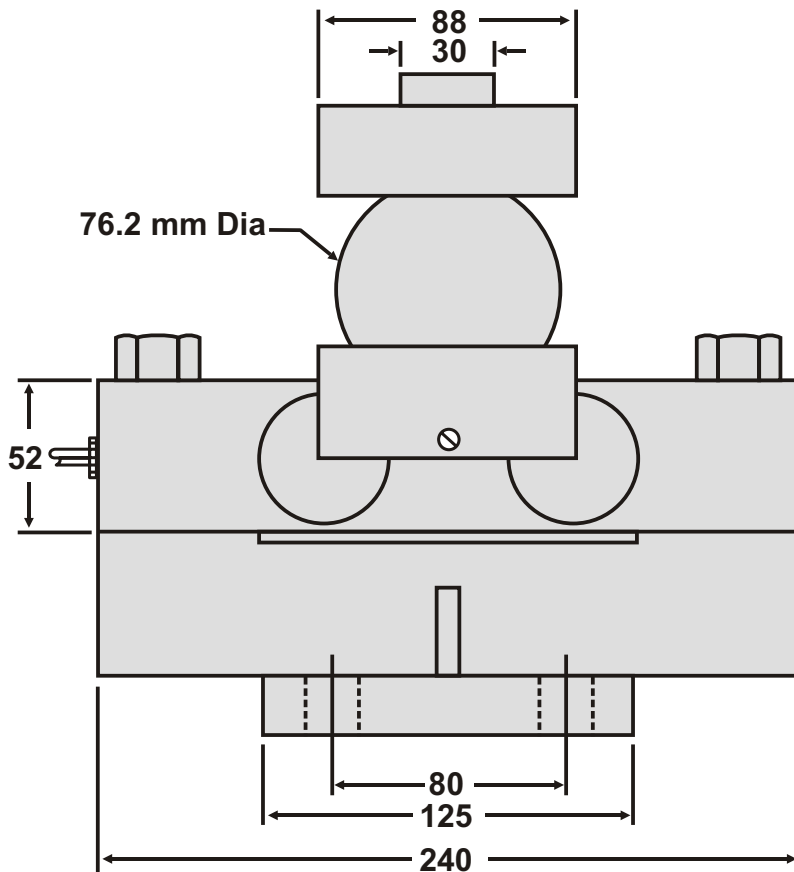
ADI ARTECH
TRANSDUCERS PVT. LTD.

A Joint venture with
ARTECH INDUSTRIES INC., U.S.A.

ELECTRICAL TERMINATION



4 CORE SCREENED CABLE



All dimensions are in mm.

ORDER INFORMATION :

ADI ARTECH is dedicated in maintaining adequate inventories of its Load Cells to provide the best service in the industry.

Order by the model number and indicate the capacity required.

Specifications are subject to change without notice

	Manufactured by :	917/1, G.I.D.C. ESTATE, MAKARPURA, VADODARA - 390 010 (INDIA)
	ADI ARTECH	Phone : 2655083/2651023
	TRANSDUCERS PVT. LTD.	FAX : (91) 0265-2638751
	A Joint venture with ARTECH INDUSTRIES INC., U.S.A.	E-mail : sales@adiartech.com artechad1@sancharnet.in
		Website : www.adiartech.com

QUALITY * PERFORMANCE * SERVICE
“A PREFERRED NAME IN LOAD CELL TECHNOLOGY”