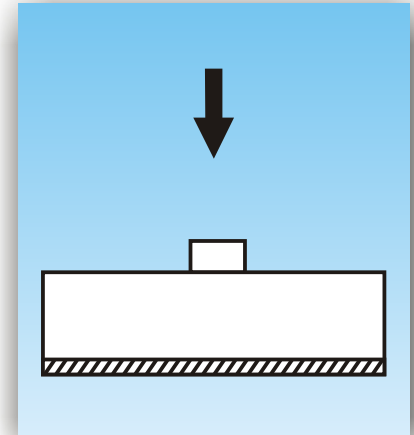
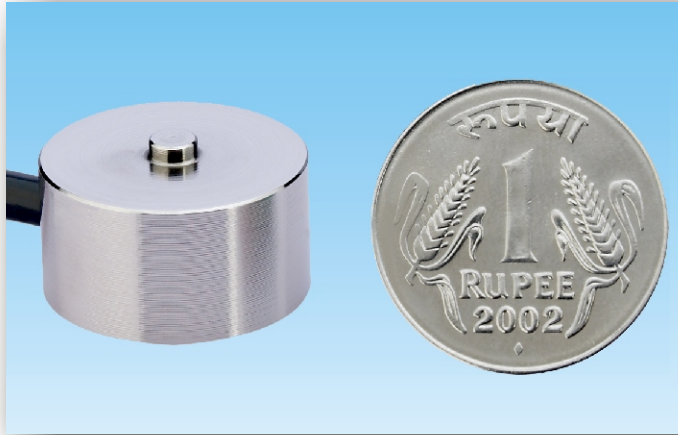


model

90610-M

MINI PANCAKE COMPRESSION LOAD CELL



FEATURES :

- ❖ 50Kgf to 1000 Kgf Capacities.
- ❖ Complete environmental protection IP65 class.
- ❖ Standard output 2.0 mV/V available.
- ❖ Hardened stainless steel construction.
- ❖ Miniature and low profile.
- ❖ Easy for installation.
- ❖ Custom built design available on request.

APPLICATIONS :

- ❖ Tensile testing
- ❖ Force and impact test
- ❖ Robotics
- ❖ Test Bench
- ❖ Automation
- ❖ Industrial Force Measurement

DESCRIPTION :

- ❖ 90610 -Mini pancake compression load cells are suitable for applications where space is constraint.
- ❖ This is constructed from heat treated stainless steel suitable for harsh and hygienic industrial applications.
- ❖ It is sealed for IP-65 protection and it has long life.
- ❖ Extremely suitable for automation, tensile testing and force measurements.
- ❖ 90610-Mini is available with integral load button.

PERFORMANCE SPECIFICATION :

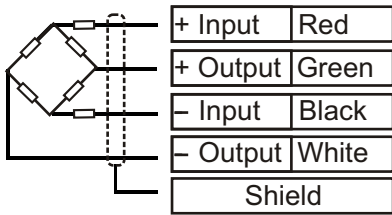
Standard Capacities (Kgf.)	: 50,100, 200, 500, 1000
Excitation Voltage	: 10 VDC - Maximum 15 VDC
Nominal Output	: 2.0 mV/V
Non - Linearity	: < ± 0.1 % FSO (Full Scale Output)
Hysteresis	: < ± 0.1 % FSO
Non-Repeatability	: < ± 0.1 % FSO
Creep (30 minutes)	: < ± 0.03 % FSO
Input Resistance	: 390 ± 10 Ohms
Output Resistance	: 350 ± 3 Ohms
Insulation Resistance (50V)	: > 1000 Mega Ohms
Cable Length (4 core)	: 1.5 Mtr.
Safe Overload	: 150 %
Ultimate Overload of Rated	: 300 %
Temp. Compensated Range	: 0-60 °C
Temp. Effect on Output	: < 0.005 % FSO/ °C
Temp. Effect on Zero	: < 0.005 % FSO/ °C
Deflection	: < 0.5 mm at FSO
Material of Construction	: Stainless Steel-17-4 PH
Environmental Protection Class	: IP65



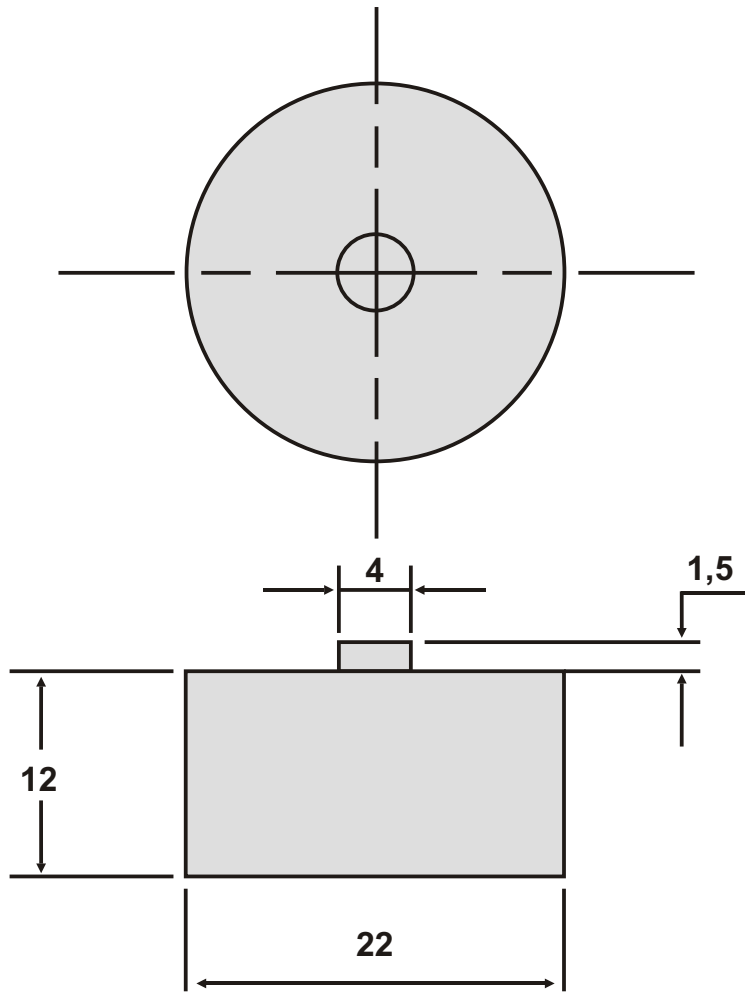
ADI ARTECH
TRANSDUCERS PVT. LTD.

A Joint venture with
ARTECH INDUSTRIES INC., U.S.A.

ELECTRICAL TERMINATION



4 CORE SCREENED CABLE



All dimensions are in mm.

ORDER INFORMATION :

ADI ARTECH is dedicated in maintaining adequate inventories of its Load Cells to provide the best service in the industry.

Order by the model number and indicate the capacity required.

Specifications are subject to change without notice

	Manufactured by :	917/1, G.I.D.C. ESTATE, MAKARPURA, VADODARA - 390 010 (INDIA)
	ADI ARTECH	Phone : 2655083/2651023
	TRANSDUCERS PVT. LTD.	FAX : (91) 0265-2638751
	A Joint venture with ARTECH INDUSTRIES INC., U.S.A.	E-mail : sales@adiartech.com artechad1@sancharnet.in
		Website : www.adiartech.com

QUALITY * PERFORMANCE * SERVICE
“A PREFERRED NAME IN LOAD CELL TECHNOLOGY”