

## model

# RADIAL FORCE SENSOR-RFS



### FEATURES :

- ❖ 10 to 100 Kgf. capacities offered
- ❖ Complete environmental protection – IP 65 class for gage area
- ❖ Standard output 1.5 mV/V offered
- ❖ Other capacity available on request

### APPLICATIONS :

Used for measuring web tension of materials drawn over a rotating roller of processing equipments for:

- ❖ Paper
- ❖ Foil
- ❖ Magnetic tape
- ❖ Plastic tape
- ❖ Textile
- ❖ Thin Metal web

### BALL BEARING SIZE

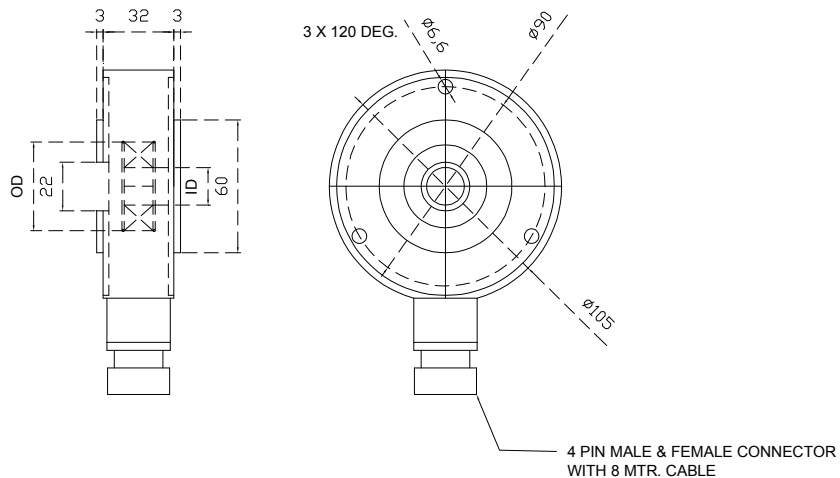
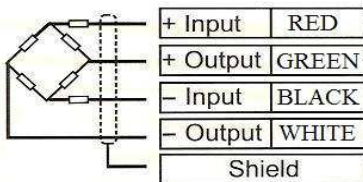
ID	OD	WIDTH	BEARING NO
12	32	10	1201
15	35	11	1202
17	40	12	1203
20	47	14	1204

### DESCRIPTION :

- ❖ Strain gauge based design
- ❖ Fully temperature compensated four gage bridge
- ❖ Provided with over load protection
- ❖ Can be installed easily
- ❖ Fitted with Self Aligning ball bearing housing

### PERFORMANCE SPECIFICATION :

<b>Rated capacity (kgf )</b>	: 10,20,50,75,100
<b>Excitation Voltage</b>	: 10 VDC – Max 15VDC
<b>Rated Output</b>	: 1.5mV/V
<b>Non Linearity</b>	: 0.2% of FSO (Full Scale Output)
<b>Non Repeatability</b>	: 0.1% of FSO
<b>Terminal Input Resistance</b>	: 375 Ohms - nominal
<b>Terminal Input Resistance</b>	: 350 Ohms – nominal
<b>Insulation Resistance</b>	: > 1000 Mega Ohms
<b>Safe Overload</b>	: 150% Of RC
<b>Compensated temperature range</b>	: 0 ~ 60 °C
<b>Temperature effect on Output</b>	: <0.04% of FSO/°C
<b>Temperature effect on Zero</b>	: <0.04% of FSO/°C
<b>Deflection</b>	: < 0.5 mm at FSO
<b>Material of Construction</b>	: Sensing element - Tool Steel & Outer Body - Blackodised Aluminum
<b>Electrical connection</b>	: 4 Pin Connector
<b>Protection class</b>	: IP-65 for gage area
<b>Loading Direction</b>	: Towards Dot Mentioned on Cover <b>(Downward Towards Connector)</b>



ALL DIMENSIONS ARE IN MM



**ADI ARTECH TRANSDUCERS PVT. LTD.**

A Joint venture with **ARTECH INDUSTRIES INC., U.S.A.**

917 / 1 G.I.D.I.C. ESTATE, MAKARPURA,  
VADOARA – 390 010 (INDIA)

PHONE: 2651023, 2655083 FAX NO.: 91-265-2638751

Web: [adiartech.com](http://adiartech.com),

Email: [sales@adiartech.com](mailto:sales@adiartech.com), [artechad1@sancharnet.in](mailto:artechad1@sancharnet.in)