

Description

20210 – SS is precision universal type Load Cell useful in hanging type weighing, universal testing, process & machine automation and line tension measurement. It is constructed from Stainless steel 17-4 PH for ruggedness and harsh industrial applications. Its design is strain gage based with full temperature compensation over 10 to 50°C range.

Features

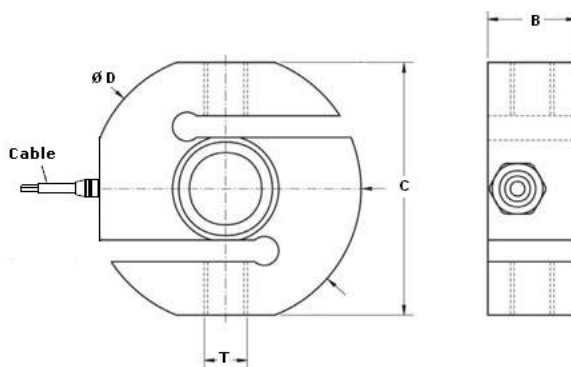
- ❖ 250 Kgf to 30 Tf capacities available.
- ❖ Stainless Steel 17 – 4 PH constructions for resistance against shock and overload.
- ❖ Complete Environmental Protection – Meets IP 67 class.
- ❖ Standardized output (2.0 ± 0.25%) available on request.
- ❖ Can be customized to suit customer’s requirements.
- ❖ High Temperature version can be provided on request.

Applications

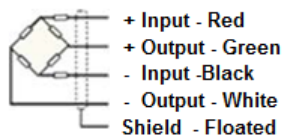
- ❖ Conversion of Mechanical Scale to Electronic.
- ❖ Tank, Hopper & Bag Weighing.
- ❖ Force Measurement, Tension & or Compression Dynamometer.
- ❖ Hanging & Crane Scale. ❖ Food and Pharma Industries.
- ❖ Line tension measurement.
- ❖ Process & machine automations ❖ Robotics. ❖ Industrial Automation.

Performance Specification

Standard Capacities	50, 75, 100, 250, 500 , 750 Kgf , 1, 1.5, 2, 3, 5, 7.5, 10, 15, 20, 30Tf
Excitation Voltage	10 VDC- Maximum 15 VDC
Nominal Output	2.0 m V/ V
Non - Linearity	< ±0.025% FSO (Full Scale Output)
Hysteresis	< ±0.03% FSO
Non-Repeatability	< ±0.01% FSO
Creep (30 minutes)	< ±0.03% FSO
Zero Balance	±1.0% FSO
Input Resistance	392 ± 15 Ohms
Output Resistance	350 ± 3 Ohms
Insulation Resistance (50 VDC)	> 1000 Mega Ohms
Cable	5 Meters
Safe Overload of Rated Capacity	150%
Ultimate Overload of Rated Capacity	250%
Allowable Side Load	50%
Temp. Compensated Range	10-50 °C
Temperature Effect on Output	< 0.0015% FSO/ °C
Temperature Effect on Zero	< 0.0020% FSO/ °C
Deflection	< 0.4 mm at FSO
Finish & Construction	Stainless Steel 17 – 4 PH
Environmental Protection Class	Meets IP 67



Electrical Termination



Options

- 4-20 mA / 0-2 Volt Output**
- Digital Version with RS-485 interface / USB output**
- Blue Tooth Or Wireless Telemetry**
- Compatible Instrument**
- Software for Graphic, Tabulation and Reporting**

CAPACITY	C	B	ØD	T
50*, 75*, 100*Kgf.	62	12.5	65	M6 X 1
250,500,750 Kgf., 1Tf.	70	25	75	M12 x 1.25
1.5 , 2 Tf.	95	30	100	M20x 1.5
3 , 5 Tf.	120	40	125	M24 x 2
7.5 , 10Tf.	145	55	152	M30 x 2
15 , 20Tf.	190	70	200	M36 X 3
30Tf.	205	80	210	M42X3

* Non Welded.

Specifications are subject to change. All dimensions are in mm.

	Manufactured by: ADI ARTECH TRANSDUCERS PVT. LTD. A Joint venture with ARTECH INDUSTRIES INC., U.S.A	917/1, G.I.D.C. Estate, Makarpura, Vadodara - 390 010, Gujarat, INDIA Phone : +91-265-2655083, 2651023,2638751 Mobile : +91-9374068998, 9879444551, 9054467370 Email : sales@adiartech.com, adiartech@adiartech.com Website : www.adiartech.com
--	--	---