

Description

CE Certified TTS-SS Static Torque Transducer is used in industrial & research applications where Torque is to be measured accurately with Rotational Angle with angular resolution of 0.5Deg. It is easily fitted in suitable test bench through key way. It is constructed from stainless steel 17-4 PH material for ruggedness and harsh industrial applications. Its design is strain gage based with full temperature compensation over 10 to 50°C range. Angular measurement is done with rotary encoder mounted on the torque shaft. Square Drive versions are available.

All these sensors are also available in online rotating torque for RPM measure or angle measurements.

Features

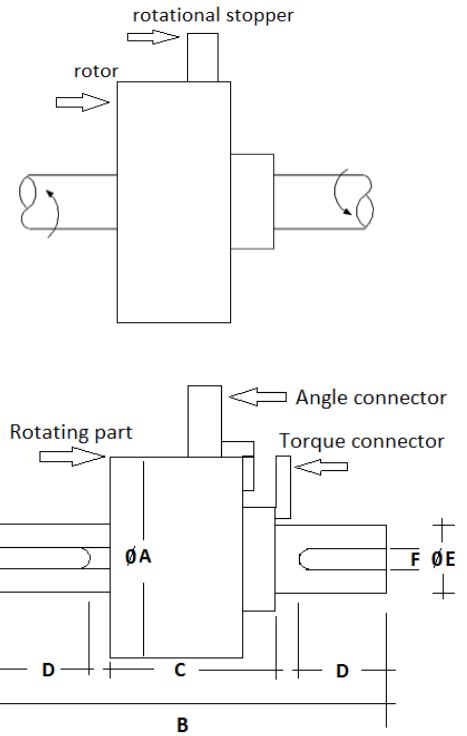
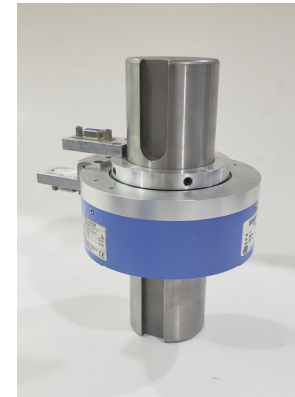
- ❖ **CE Rated** ❖ Excellent selection of range from 0-50 to 0-10KNM.
- ❖ SS 17-4 PH construction for resistance against shock and overload.
- ❖ Complete Environmental Protection -IP65 class.
- ❖ Can be customized to suit customer's requirements.
- ❖ Axial & Bending force are compensated.

Applications

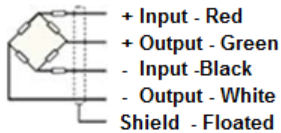
- ❖ Motor, Switches, Shaft & Axle torque measurement.
- ❖ To measure operating Torque of Industrial Valve & actuators.
- ❖ Automotive, Aerospace & offshore valves test rigs.
- ❖ Torque measurement of Industrial Fastener.

Performance Specification

Standard Capacities(NM)	50,100,200,300,500,1K,2K,3K,5K,10K
Angle	0-360° - 0.5° least count
Excitation Voltage	10 VDC- Maximum 15 VDC
Nominal Output	2.0 m V/ V
Non - Linearity	< ±0.1% Full Scale Output
Hysteresis	< ±0.1% FSO
Non-Repeatability	< ±0.1% FSO
Creep (30 minutes)	< ±0.3% FSO
Zero Balance	±1.0% FSO
Input Resistance	392 ± 15 Ohms
Output Resistance	350 ± 3 Ohms
Insulation Resistance	> 1000 Mega Ohms(50 VDC)
Cable Length	5 Meters
Safe Overload	150% FSO
Ultimate Overload	250% FSO
Temp. Compensated Range	10-50 °C
Temp. Effect on Output	< 0.05% FSO/ °C
Temperature Effect on Zero	< 0.05% FSO/ °C
Rotational Angular Deflection	< 0.4° at FSO
Finish & Construction	Stainless Steel 17-4 PH
Environmental Protection	IP 65 for gage area



Electrical Termination



Options

Compatible Instrument with -
 4-20 mA / 0-2 Volt Output
 Digital Version with RS-485 interface / USB output
 Blue Tooth Or Wireless Telemetry
 Software for Graphic, Tabulation, Reporting & Analysis.

Capacity NM	A-appx.	B	C-appx.	D-appx.	E - ø	F	G
50, 100 , 200	82	180	42	25	25	8	4
300,500,1K	82	200	42	40	40	12	5
2K,3K,5K	125	200	65	60	60	18	7
10K	125	240	65	75	75	20	7.5

Specifications are subject to change.

All dimensions are in mm.



Made in INDIA by:
ADI ARTECH
TRANSDUCERS PVT. LTD.
 (An ISO 9001:2015 Certified Company)

917/1, G.I.D.C. Estate, Makarpura, Vadodara - 390 010, Gujarat, INDIA
Mobile : +91-9374068998, 9879444551, 9054467370
Email : sales@adiartech.com, adiartech@adiartech.com
Website : www.adiartech.com