

**Description**

**CE Certified** 20610 – M is strain gage based load cell with temperature compensation over 10 to 50°C range. It is universal load cell for compression & tension force measurements. This rod end dual stud mount cell has male threads at both ends for fixing into the system. It is very use full for in line force measurements. It is constructed from tool steel for toughness & ruggedness. It is sealed for IP65 protection class for environment.

**Features**

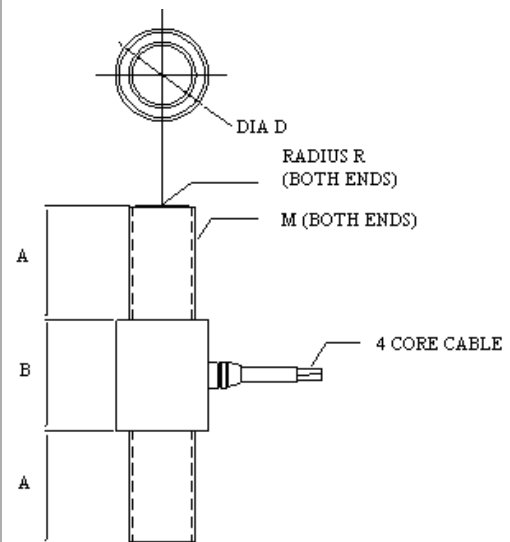
- ❖ **CE Rated** ❖ 1, 2, 5, 7.5, 10, 15, 25, 50, 75, 100,150, 200, 300, 500 TF Capacities available.
- ❖ High Alloy Tool Steel construction for resistance against shock and overload.
- ❖ It is light weight and portable.
- ❖ High Temperature version for foundry applications is available upon request.
- ❖ Female thread version Model 20610 – F is available.
- ❖ Can be designed to fit your dimensional needs.
- ❖ Can be supplied with suitable electronic transmitter, indicator and controller.

**Applications**

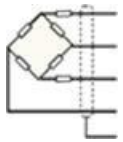
- ❖ Line tension measurement
- ❖ Force measurement in hydraulic system
- ❖ Extrusion process
- ❖ Hanging type of weighing
- ❖ Calibration of testing machine
- ❖ Industrial process control

**Performance Specification**

|                                |   |
|--------------------------------|---|
| Standard Capacities            | 1, 2, 5, 7.5, 10, 15, 20, 30, 50, 75, 100, 150, 200, 300, 500 TF. |
| Excitation Voltage             | 10 VDC- Maximum 15 VDC  |
| Nominal Output                 | 2.0 m V/ V  |
| Non - Linearity                | < ±0.2% FSO   |
| Hysteresis                     | < ±0.2% FSO   |
| Non-Repeatability              | < ±0.2% FSO   |
| Creep (30 minutes)             | < ±0.1% FSO   |
| Zero Balance                   | ±1.0% FSO   |
| Input Resistance               | 775 ± 15 Ohms   |
| Output Resistance              | 700 ± 3 Ohms  |
| Insulation Resistance (50 VDC) | > 1000 Mega Ohms  |
| Cable Length (4 Core Screened) | Please See table  |
| Safe Overload                  | 150% of Rated Capacity  |
| Ultimate Overload              | 200% of Rated Capacity  |
| Fatigue Rating                 | 10 <sup>6</sup> Full cycles                                       |
| Temp. Compensated Range        | 0-60°C  |
| Temperature Effect on Output   | < 0.0015% FSO/ °C   |
| Temperature Effect on Zero     | < 0.0020% FSO/ °C   |
| Deflection                     | < 0.4 mm at FSO   |
| Finish & Construction          | Electroless Nickel Plated Tool Steel                              |
| Environmental Protection Class | IP65  |



**Electrical Termination**



- +Input** Red
- +Output** Green
- Input** Black
- Output** White
- Shield**

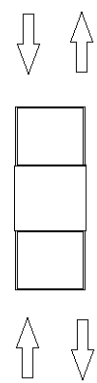
**Options**

- ❖ **Mounting Accessories** ❖ **Dual Bridge**
- ❖ **4-20 mA / 0-2 Volt Output**
- ❖ **Digital Version with RS-485 interface**
- ❖ **Blue Tooth Telemetry** ❖ **Wireless Telemetry**
- ❖ **Compatible Instrument**
- ❖ **Software for Graphic, Tabulation and Reporting**

| Capacity (Tf) | A   | B   | L   | M – Thread | D – Dia | R Rad. | Cable Mtrs. |
|---------------|-----|-----|-----|------------|---------|--------|-------------|
| 5             | 36  | 85  | 157 | M 24 X 2   | 89      | 150    | 5           |
| 7.5, 10       | 45  | 85  | 175 | M 30 x 2   | 89      | 150    | 5           |
| 15, 20,30     | 68  | 85  | 221 | M 45 x 3   | 89      | 150    | 5           |
| 50            | 100 | 100 | 300 | M 64 x 4   | 150     | 400    | 5           |
| 75, 100, 150  | 135 | 100 | 370 | M 90 x 4   | 150     | 400    | 5           |
| 200, 300      | 190 | 100 | 480 | M 125 x 4  | 150     | 400    | 5           |
| 500           | 200 | 110 | 570 | M 150 x 4  | 200     | 400    | 5           |

Specifications are subject to change.

All dimensions are in mm.



Made in INDIA by:

**ADI ARTECH**  
**TRANSDUCERS PVT. LTD.**  
 (An ISO 9001:2015 Certified Company)

917/1, G.I.D.C. Estate, Makarpura, Vadodara - 390 010, Gujarat, INDIA  
**Mobile** : +91-9374068998, 9879444551, 9054467370  
**Email** : sales@adiartech.com, adiartech@adiartech.com  
**Website** : www.adiartech.com