

**Description**

20210-SS is **CE Certified** precision universal type Round S Beam Load Cell useful in hanging type weighing, universal testing, process & machine automation and line tension measurement. It is constructed from Stainless steel 17-4 PH for ruggedness and harsh industrial applications. It is suitable for pharmaceutical and food industries. Its design is strain gage based with full temperature compensation over 10 to 50°C range.

**Features**

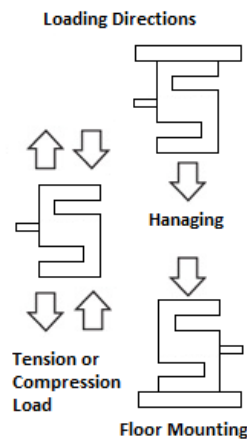
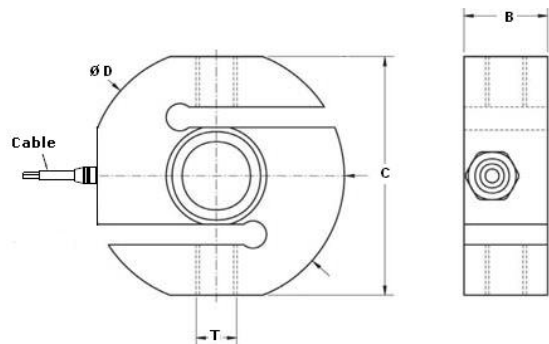
- ❖ 250 Kgf to 30 TF capacities available. ❖ **CE Rated**
- ❖ Stainless Steel 17 – 4 PH constructions for resistance against shock and overload.
- ❖ Complete Environmental Protection – Meets IP 67 class.
- ❖ Standardized output (2.0 ± 0.25%) available on request.
- ❖ Can be customized to suit customer’s requirements.
- ❖ High Temperature version can be provided on request.

**Applications**

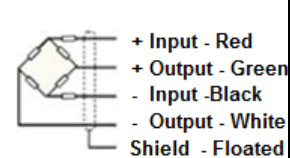
- ❖ Conversion of Mechanical Scale to Electronic.
- ❖ Tank, Hopper & Bag Weighing.
- ❖ Force Measurement, Tension & or Compression Dynamometer.
- ❖ Hanging & Crane Scale. ❖ Food and Pharma Industries.
- ❖ Line tension measurement.
- ❖ Process & machine automations ❖ Robotics. ❖ Industrial Automation.

**Performance Specification**

|                                     |                                   |
|-------------------------------------|-----------------------------------|
| Standard Capacities                 | Refer Table below                 |
| Excitation Voltage                  | 10 VDC- Maximum 15 VDC            |
| Nominal Output                      | 2.0 +0.2/-0.5 m V/ V              |
| Non - Linearity                     | < ±0.025% FSO (Full Scale Output) |
| Hysteresis                          | < ±0.03% FSO                      |
| Non-Repeatability                   | < ±0.01% FSO                      |
| Creep (30 minutes)                  | < ±0.03% FSO                      |
| Zero Balance                        | ±1.0% FSO                         |
| Input Resistance                    | 392 ± 15 Ohms                     |
| Output Resistance                   | 350 ± 3 Ohms                      |
| Insulation Resistance (50 VDC)      | > 1000 Mega Ohms                  |
| Cable                               | 5 Meters                          |
| Safe Overload of Rated Capacity     | 150%                              |
| Ultimate Overload of Rated Capacity | 250%                              |
| Allowable Side Load                 | 50%                               |
| Temp. Compensated Range             | 10-50 °C                          |
| Temperature Effect on Output        | < 0.0015% FSO/ °C                 |
| Temperature Effect on Zero          | < 0.0020% FSO/ °C                 |
| Deflection                          | < 0.4 mm at FSO                   |
| Finish & Construction               | Stainless Steel 17 – 4 PH         |
| Environmental Protection Class      | Meets IP 67                       |



**Electrical Termination**



**Options**

- \* Suitable Mounting Eye Bolts
- \* 4-20 mA / 0-2 Volt Output
- \* Digital Version with RS-485 interface / USB output/Blue Tooth Or Wireless Telemetry
- \* Compatible Instrument
- \* Software for Graphic, Tabulation, Analysis and Reporting

| CAPACITY                   | C   | B  | ØD  | T          |
|----------------------------|-----|----|-----|------------|
| 250*, 500*, 750 Kgf., 1Tf. | 70  | 25 | 75  | M12 x 1.25 |
| 1.5 , 2 Tf.                | 95  | 30 | 100 | M20 x 1.5  |
| 3 , 5 Tf.                  | 120 | 40 | 125 | M24 x 2    |
| 7.5 , 10Tf.                | 145 | 55 | 152 | M30 x 2    |
| 15 , 20Tf.                 | 190 | 70 | 200 | M36 X 3    |
| 30Tf.                      | 205 | 80 | 210 | M39 X 2    |

\* Non Welded.

Specifications are subject to change.

All dimensions are in mm.



Made in INDIA by:

**ADI ARTECH**  
**TRANSDUCERS PVT. LTD.**  
 (An ISO 9001:2015 Certified Company)

917/1, G.I.D.C. Estate, Makarpura, Vadodara - 390 010, Gujarat, INDIA  
**Mobile** : +91-9374068998, 9879444551, 9054467370  
**Email** : sales@adiartech.com, adiartech@adiartech.com  
**Website** : www.adiartech.com