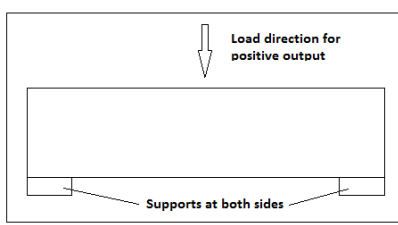
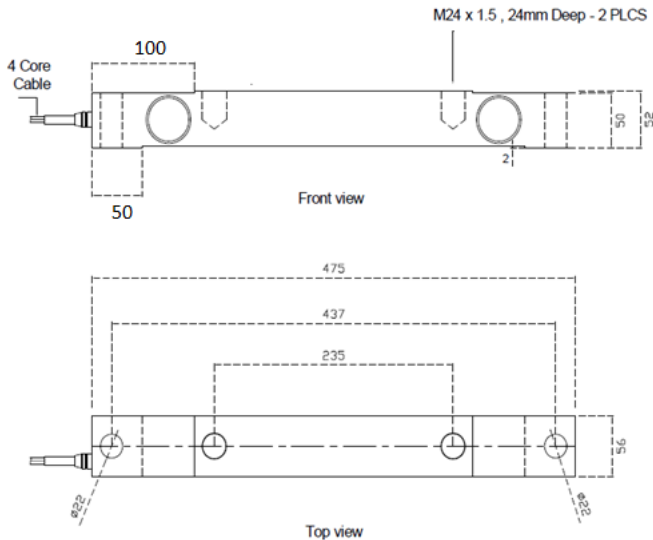


**Description**

70430 is **CE Certified** double ended shear beam load cell ideally suited for Truck, Track, and Onboard weighing applications. Its construction of high alloy tool steel provides optimum protection under impact loading & adverse conditions. The cell is environmentally protected with waterproof seal and is Electroless nickel plated to assure resistance against corrosion.

Features	
❖ <b>CE Rated</b> ❖ Available in capacity of 10 to 30Tf. ❖ Standard output 2.0mV/V ❖ Complete environment protection IP 65 class.	
Applications	
Truck Scale	Track Scale
Performance Specification	
Standard Capacity	10, 15, 20, 30Tf
Excitation Voltage	10 VDC- Maximum 15 VDC
Nominal Output	2.0 m V/ V
Non - Linearity	< ±0.1% FSO (Full Scale Output)
Hysteresis	< ±0.15% FSO
Non-Repeatability	< ±0.1% FSO
Creep (30 minutes)	< ±0.02% FSO
Zero Balance	±1.0% FSO
Input Resistance	770 ± 15 Ohms
Output Resistance	700 ± 5 Ohms
Insulation Resistance (50 VDC)	> 1000 Mega Ohms
Cable Length (4 Core Screened)	10 Meters
Safe Overload of Rated Capacity	150%
Ultimate Overload of Rated Capacity	250%
Temp. Compensated Range	10-50 °C
Temperature Effect on Output	< 0.005% FSO/ °C
Temperature Effect on Zero	< 0.005% FSO/ °C
Deflection	< 0.4 mm at FSO
Finish & Construction	Electroless Nickel Plated Tool Steel
Environmental Protection Class	IP 65



Electrical Termination	Options
	*Compatible Instruments with Relay output, 4-20 mA or 0-2 Volt Output *Digital Version with RS-485 interface / USB output /Blue Tooth Telemetry / Wireless Telemetry *Software for Graphic, Tabulation and Reporting

Specifications are subject to change.

All dimensions are in mm.

	Made in INDIA by: <b>ADI ARTECH</b> TRANSDUCERS PVT. LTD. (An ISO 9001:2015 Certified Company)	917/1, G.I.D.C. Estate, Makarpura, Vadodara - 390 010, Gujarat, INDIA <b>Mobile</b> : +91-9374068998, 9879444551, 9054467370 <b>Email</b> : sales@adiartech.com, adiartech@adiartech.com <b>Website</b> : www.adiartech.com
--	---	--