

Description

CE Certified Model 60810 is a strain gage based low profile bending beam load cell and is ideal for precision large platform scale applications. It is designed for low eccentric sensitivity. Its tool steel construction is very rugged to withstand shock loads. This supports large platform size of 1 X 1 Mtr. It is constructed from tool steel for heavy shock loads.

Features

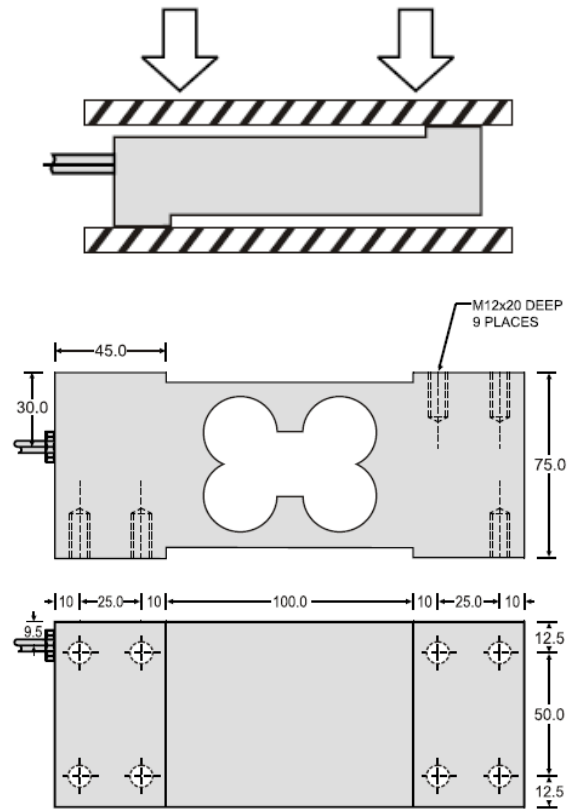
- ❖ **CE Rated** ❖ Single point capability for platform scales.
- ❖ Minimum error for off center loading.
- ❖ Supports the pan size of 1000 X 1000 mm.
- ❖ Low profile.
- ❖ 500Kgf. To 3000Kgf. Capacities offered.
- ❖ Moisture proof sealing.

Applications

- ❖ Large size platform scales
- ❖ Bag weighing & Hopper weighing
- ❖ Steel weigher

Performance Specification

| | |
|-------------------------------------|-----------------------------------------------------------------------------------------|
| Standard Capacities(Kgf.) | 500, 750, 1000, 1500, 2000, 3000 |
| Excitation Voltage | 10 VDC- Maximum 15 VDC |
| Nominal Output | 2.0 mV/ V |
| Non - Linearity | < ±0.025% FSO (Full Scale Output) |
| Hysteresis | < ±0.02% FSO |
| Non-Repeatability | < ±0.01% FSO |
| Creep (30 minutes) | < ±0.03% FSO |
| Zero Balance | ±1.0% FSO |
| Input Resistance | 390 ± 15 Ohms |
| Output Resistance | 350 ± 3 Ohms |
| Insulation Resistance (50 VDC) | > 1000 Mega Ohms at 50VDC |
| Cable Length (4 Core Screened) | 5 Meter |
| Safe Overload of Rated Capacity | 150% of Rated Capacity |
| Ultimate Overload of Rated Capacity | 250% of Rated Capacity |
| Temp. Compensated Range | 0-60 °C |
| Temperature Effect on Output | < 0.0015% FSO/ °C |
| Temperature Effect on Zero | < 0.0020% FSO/ °C |
| Platter Size | 1000mm x 1000mm |
| Eccentric Load Effect | <0.02% of FSO at 1/3 rated load placed within 500mm radius from the center of load cell |
| Deflection | < 0.5 mm at FSO |
| Tightening Torque | 7. 5 m. kg. |
| Finish & Construction | Electro less nickel plated tool steel |
| Environmental Protection Class | IP 67 |



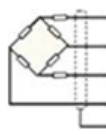
TOP VIEW

ARROW SHOWS LOAD DIRECTION FOR +VE OUTPUT



Electrical Termination

Options



- + Input - Red
- + Output - Green
- Input - Black
- Output - White
- Shield - Floated

Compatible Instruments with Relay output, 4-20 mA or 0-2 Volt Output
 Digital Version with RS-485 interface / USB output
 Blue Tooth Telemetry / Wireless Telemetry
 Software for Graphic, Tabulation, Reporting and Analysis

Specification are subject to change.

All dimensions are in mm.



Made in INDIA by:

ADI ARTECH
TRANSDUCERS PVT. LTD.
 (An ISO 9001:2015 Certified Company)

917/1, G.I.D.C. Estate, Makarpura, Vadodara - 390 010, Gujarat, INDIA
Mobile : +91-9374068998, 9879444551, 9054467370
Email : sales@adiartech.com, adiartech@adiartech.com
Website : www.adiartech.com