

**Description**

**CE Certified** 90610 – B is pancake compression type load cell & it is strain gage based sensor with temperature compensation over 10 to 50°C. This is constructed from SS 17 – 4 PH / Tool Steel suitable for harsh industrial applications. It is sealed for IP 65 protection class & it has long life. It is available with integral Button for loading. It can be customized to customer's specific dimensions for replacements.

**Features**

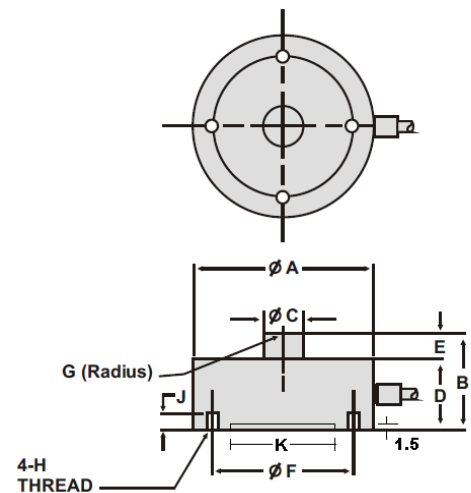
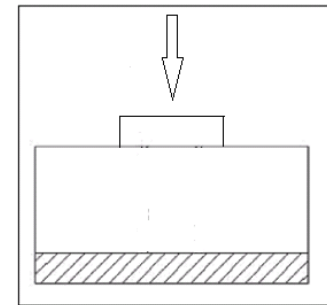
- ❖ **CE Rated** ❖ Available in capacity 50 Kgf to 450 Tf.
- ❖ Standard output 2.0 mV/V.
- ❖ Complete environment protection IP 65 class.
- ❖ Optional IP 68 available on request.
- ❖ Dual bridge configuration available on request.

**Applications**

Compression Testing	Force & Impact Testing
Tablet Hardness Tester	Tank, Silo weighing
Low profile floor scale	Robotics & Automation

**Performance Specification**

Standard Capacities Kgf	50, 100, 200, 500, 750, 1000 1.5, 2, 3, 5, 7.5, 10, 15, 20, 30, 50, 75, 100, 150, 200, 300, 400, 450 Tf
Excitation Voltage	10 VDC- Maximum 15 VDC
Nominal Output	2.0 m V/ V
Non - Linearity	< ±0.1% FSO (Full Scale Output)
Hysteresis	< ±0.15% FSO
Non-Repeatability	< ±0.1% FSO
Creep (30 minutes)	< ±0.04% FSO
Zero Balance	±1.0% FSO
Input Resistance	390 ± 10 Ohms up to 1000 Kgf 770 ± 20 Ohms 1.5 T & Above
Output Resistance	350 ± 5 Ohms up to 1000 Kgf 700 ± 7 Ohms 1.5 T & Above
Insulation Resistance (50 VDC)	> 1000 Mega Ohms
Cable Length	5 Meters
Safe Overload of Rated Capacity	150%
Ultimate Overload of Rated Capacity	200%
Temp. Compensated Range	10- 50°C
Temperature Effect on Output	< 0.005% FSO/ °C
Temperature Effect on Zero	< 0.005% FSO/ °C
Deflection	< 0.4 mm at FSO
Environmental Protection Class	IP 65

**Electrical Termination**

- + Input - Red
- + Output - Green
- Input -Black
- Output - White
- Shield - Floated

**Options**

Threaded loading Button, Threaded base plate  
Dual Bridge Output  
4-20 mA / 0-2 Volt Output  
Digital Version with RS-485 interface / USB output  
Blue Tooth Telemetry  
Wireless Telemetry  
Compatible Instrument  
Software for Graphic, Tabulation and Reporting  
Customization with customers dimensions

Capacity – Tf.	A	F	C	D + E	G-Radius	H	J	K	MOC*
0.05 to 1	50	42	13	25 + 5	150	M4 X 0.7	6	34	SS 17-4 PH
1.5 to 5	90	70	25	30 + 5	150	M6 X 1.0	8	58	SS 17-4 PH
7.5, 10, 15, 20	115	90	32	30 + 5	150	M8 X 1.25	10	75	SS 17-4 PH
30	155	125	44	30 + 5	150	M12 X 1.5	12	103	SS 17-4 PH
50	210	180	60	30 + 5	430	M12 X 1.5	15	153	Tool Steel*
75, 100	280	250	80	35 + 10	430	M16 X 1.5	20	223	Tool Steel*
150, 200	305	270	100	50 + 10	430	M20 X 1.5	20	243	Tool Steel*
300	395	350	120	65 + 10	430	M20 X 1.5	20	308	Tool Steel*
400, 450	450	390	150	70 + 10	430	M20 X 1.5	20	330	Tool Steel*

Specifications are subject to change. All dimensions are in mm. \*MOC-Material of Construction \* Electro less Nickle Plated.



Made in INDIA by:

**ADI ARTECH**  
TRANSDUCERS PVT. LTD.

(An ISO 9001:2015 Certified Company)

917/1, G.I.D.C. Estate, Makarpura, Vadodara - 390 010, Gujarat, INDIA

**Mobile** : +91-9374068998, 9879444551, 9054467370

**Email** : sales@adiartech.com, adiartech@adiartech.com

**Website** : www.adiartech.com